



M67: DEFENSIVE HAND GRENADE



The American M67 defensive (fragmentation) hand grenade (c. 1968) is an improved version of the baseball shaped M33 hand grenade which was developed in the early 1960s by the American armed forces to replace the larger egg shaped M26 hand grenade.

The M67, M33 and M26 use a smooth pressed steel body with a fragmentation liner that provides more uniform fragmentation than the WWI era MK2 which used a ribbed cast iron body that shattered on detonation. It can be rigged to work as a booby-trap.

The M68 is a variant of the M67 fitted with the M217 impact fuze. This fuze has an electrical impact function which arms within 1 to 2 seconds and will detonate the grenade upon impact, and a back-up pyrotechnic delay function which will initiate the grenade after 3 to 7 seconds if the impact function fails. The M68 looks much the same as the M67 except it has a red-painted fuze and lever to indicate it has an impact fuze.

The M69 practice grenade has a reusable body (typically painted blue) and is used in conjunction with the M228 fuze which produces noise and smoke but no fragmentation.

Later designs like the Yugoslavian M75 have thousands of steel balls designed to penetrate light body armor, but earlier designs like the and the M67 and the Russian RDG-5 are still very effective and much cheaper, which is why they are still used by many nations.



RECOMMENDED ACCESSORIES

Grenade Manual

FM 3-23.30 Grenades and Pyrotechnic Signals [US Army]

Log Book

Firearm Usage & Maintenance Log Book. [Blackheart International]

Booby-Trap Adaptor

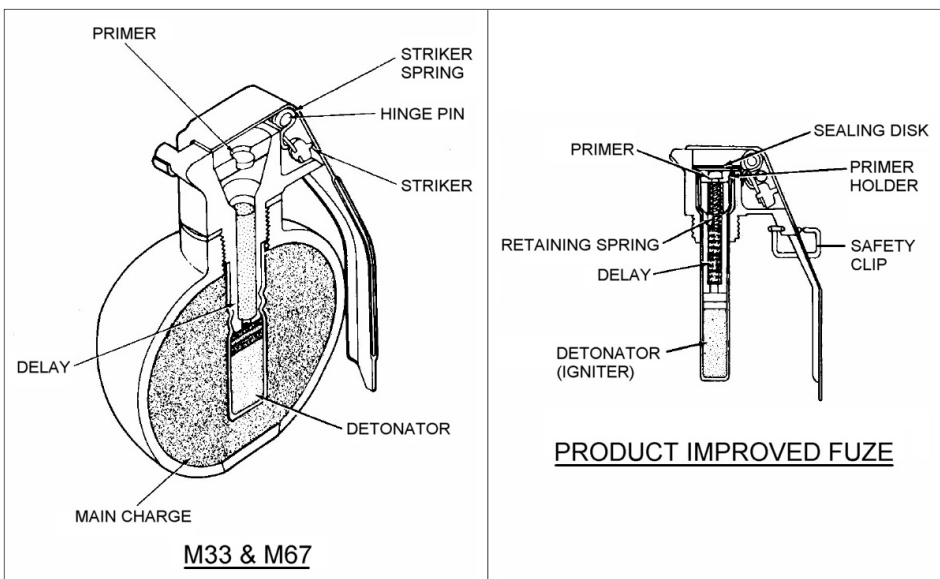
MUV fuze. [RDG-5 manufacturers]

Grenade Pouch

S.T.R.I.K.E. Sting Ball Pouch. [Blackhawk]

SPECIFICATIONS

- Weight: 397 grams (14 oz)
- Length: 90 mm (3.53 in)
- Diameter: 64 mm (2.5 in)
- Filling: Composition B
- Filling Weight: 180 grams (6.5 oz)



HOT TIP

Store grenades separately from their fuzes in a dry environment.